

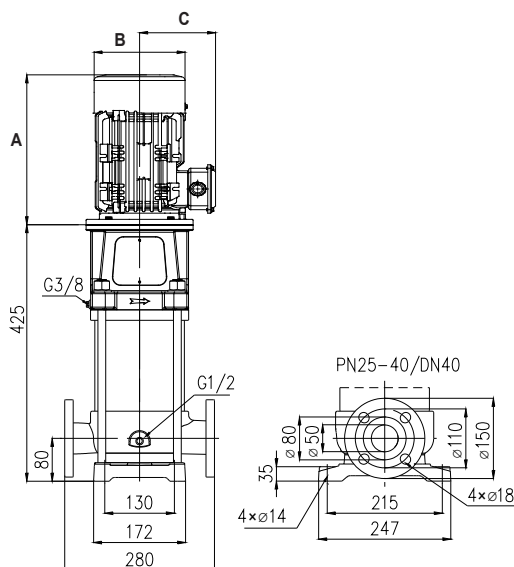
TECHNICAL DATA

RATED FLOW [M3/H]	8m3/hr
MAX FLOW	12m3/hr
MAX HEAD	65M
OPTIMUM OPERATING RANGE	4.8m3/hr @ 60.3m 44.8% eff
	10m3/hr @ 50.8m 61.1% eff
WORKING AIR TEMP	0°C - 40°C
LIQUID TEMPERATURE	-15°C - 120°C
HIGHEST EFFICIENCY	64.4%
MAXIMUM PUMP PRESSURE	33 bar
NET WEIGHT (KG)	34kg

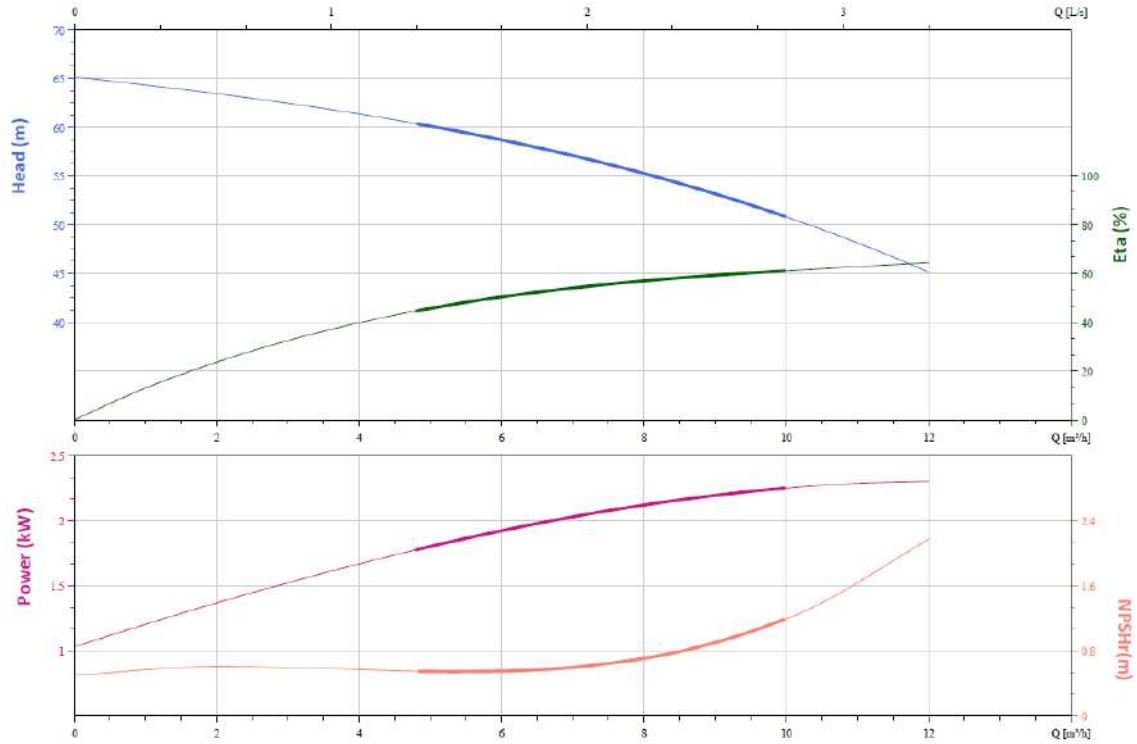
RATED VOLTAGE/CURRENT	Single phase 230V +10% - 6%
RATED CURRENT	7.66 amps
POWER (KW)	2.2kW 2 pole
CAPACITOR	200uF start, 35uF run
MOTOR IP RATING	IP55
MOTOR INSULATION	Class F
MOTOR EFFICIENCY STD	I.E.3
MOTOR EFFICIENCY	85.9%
COS Ø	0.85
MECHANICAL SEAL	AS-L-12
OUTLET DIN FLANGE	DN40

DIMENSIONS

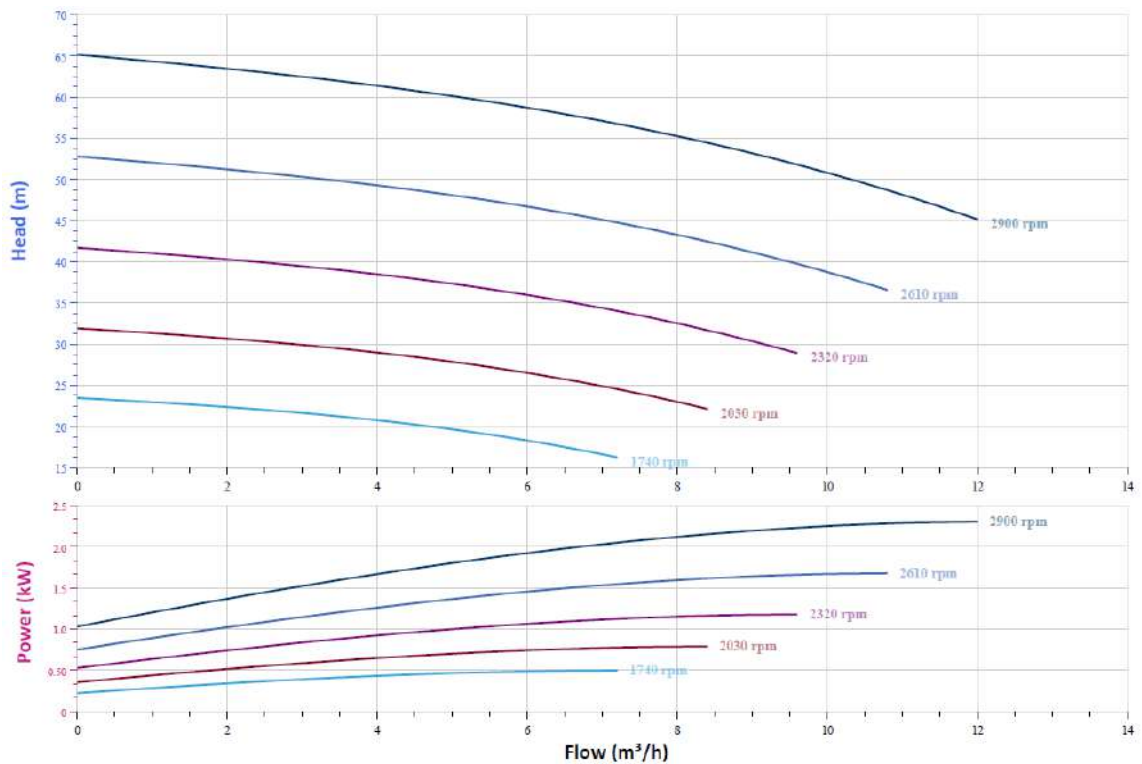
HEIGHT A	322
DIAMETER B	166
RADIUS C	135



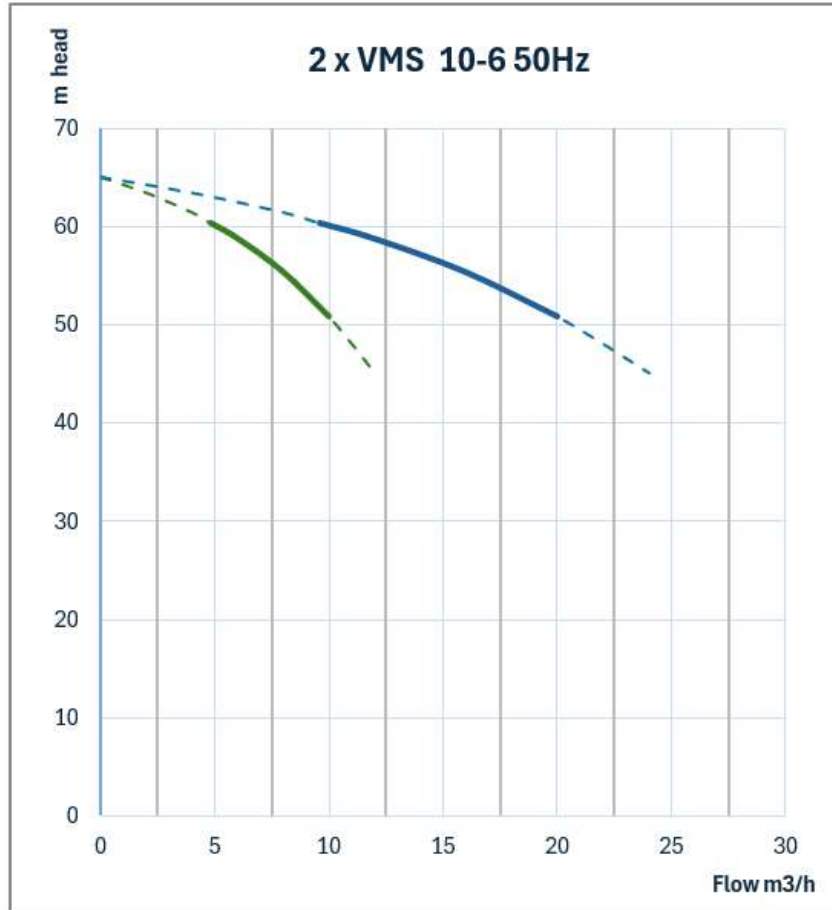
CURVE



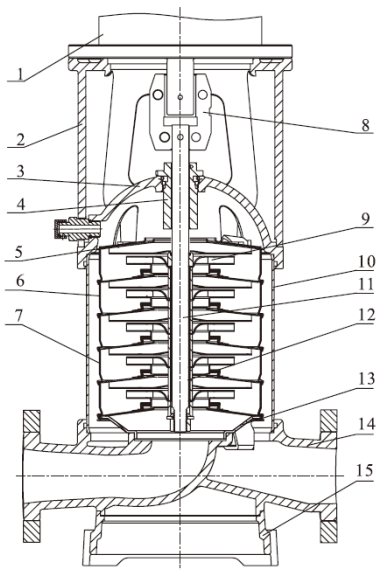
VFD CURVE



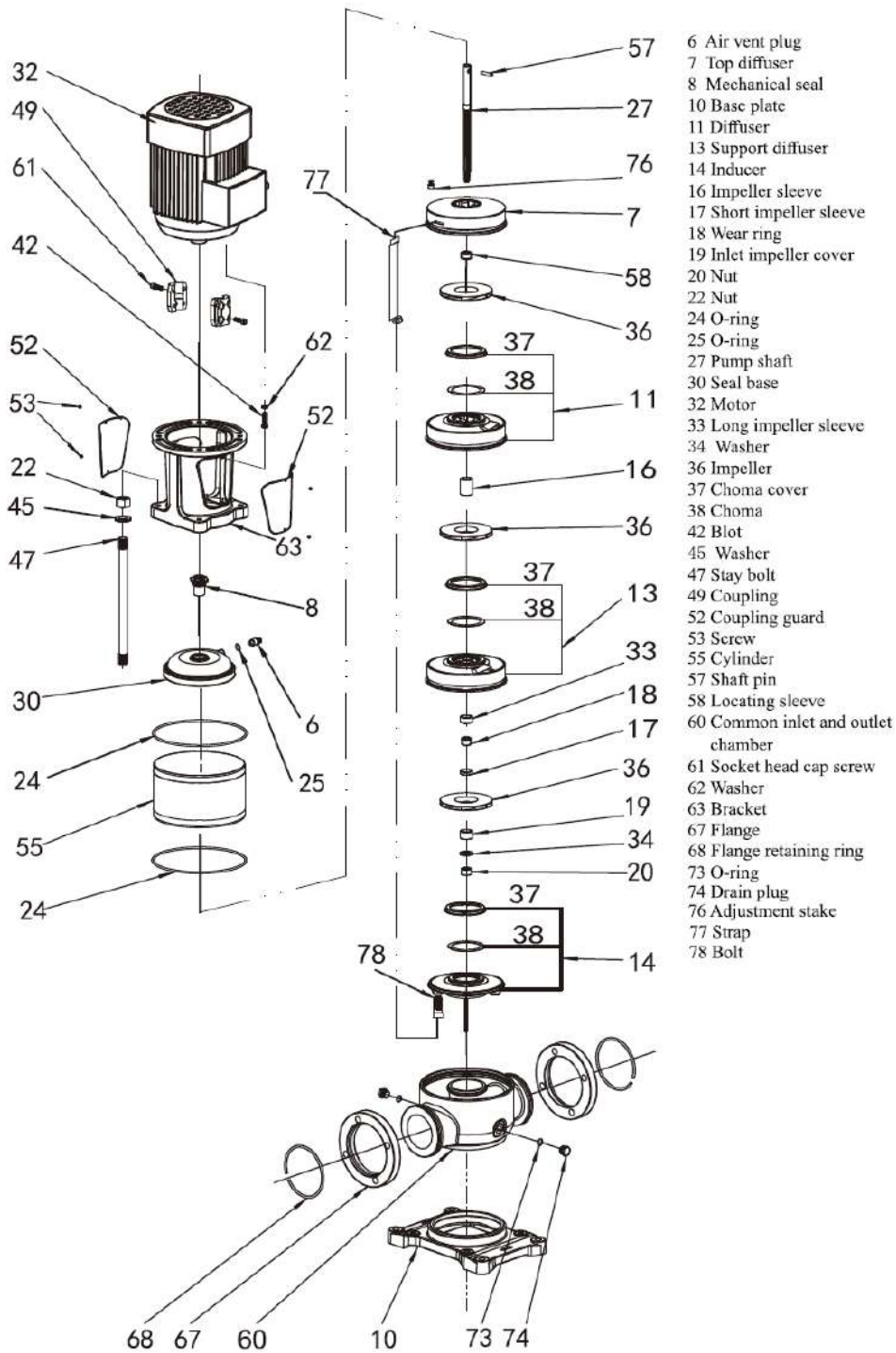
DUAL PUMP CURVE



CUTAWAY AND MATERIALS



1	Motor	/
2	Bracket	Ductile Cast Iron
3	Seal Base	Stainless / Ductile Cast Iron
4	Mechanical Seal	AS-L-16
5	Top Diffuser	Stainless Steel
6	Diffuser	Stainless Steel
7	Support Diffuser	Stainless Steel
8	Coupling	Stainless Steel
9	Impeller	Stainless Steel
10	Cylinder	Stainless Steel
11	Shaft	Stainless Steel
12	Intermediate Bearing	SIC / WC
13	Inducer	Stainless Steel
14	Inlet/Outlet Chamber	Stainless Steel / Ductile Cast Iron
15	Base	Ductile Cast Iron



WARRANTY / CERTIFICATIONS

